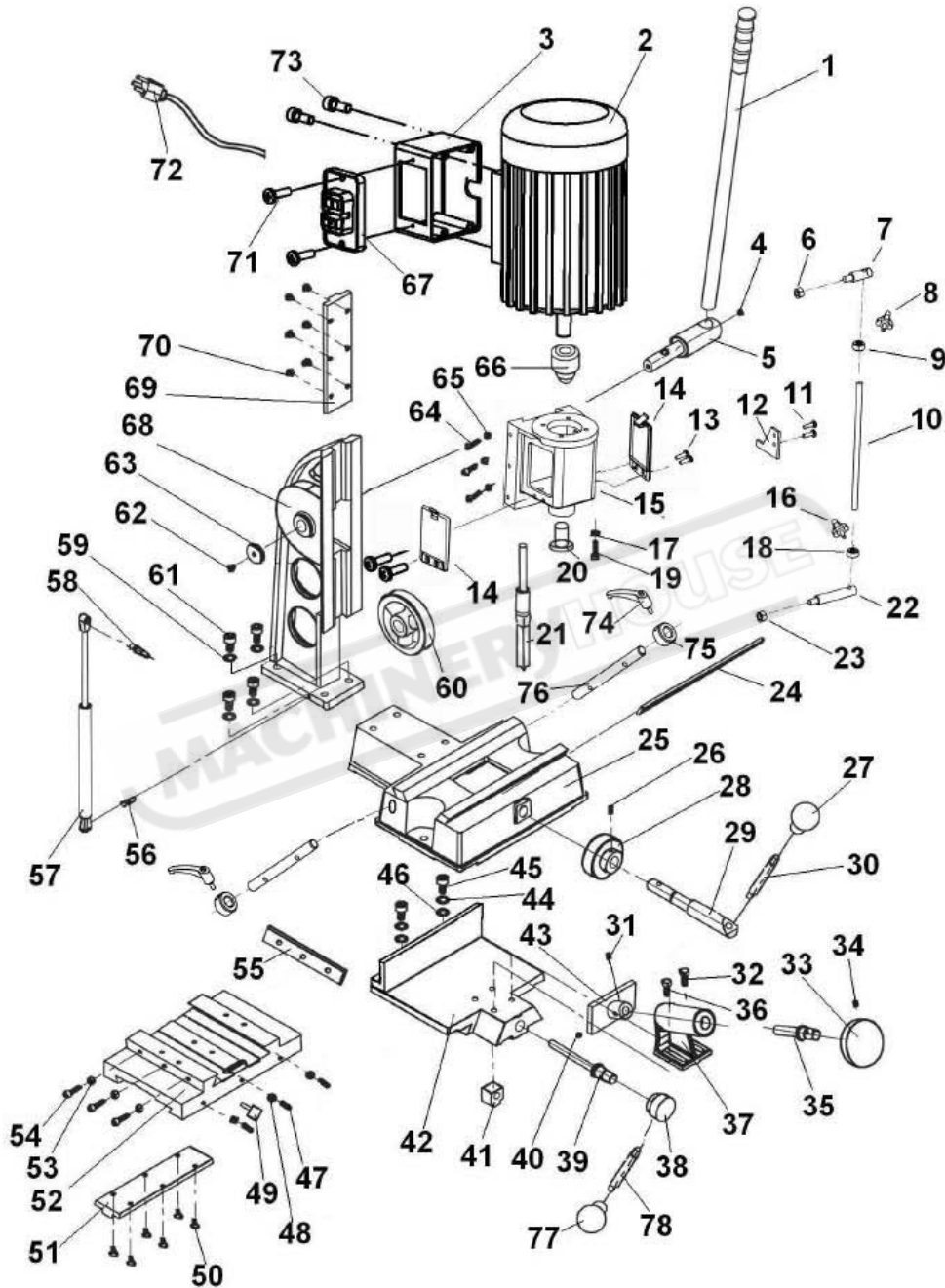


Parts Diagram for M-16



PART LIST For M-16

Part NO.	DESCRIPTION	Q'TY	Part NO.	DESCRIPTION	Q'TY
1	Handle	1	39	Lead Screw	1
2	Motor	1	40	Screw	1
3	Switch Box	1	41	Lead Nut	1
4	Screw	1	42	Table	1
5	Gear Shaft	1	43	Clamp Plate	1
6	Screw	1	44	Screw	2
7	Screw	1	45	Spring Washer	2
8	Handle	1	46	Washer	2
9	Setting Collar	1	47	Screw	1
10	Guide Column	1	48	Nut	2
11	Screw	2	49	Screw	1
12	Localizer	1	50	Screw	1
13	Screw	2	51	Rack	1
14	Cover	2	52	Sliding Plate	1
15	Gear Casing	1	53	Washer	3
16	Handle	1	54	Screw	3
17	Washer	4	55	Drift	4
18	Setting Collar	1	56	Screw	4
19	Bolt	4	57	Gas Spring	1
20	Chisel Bushing	1	58	Screw	1
21	Chisel	1	59	Washer	4
22	Screw	1	60	Gear	1
23	Nut	1	61	Bolt	4
24	Drift	1	62	Screw	1
25	Base	1	63	Drift	1
26	Screw	2	64	Screw	3
27	Knob	1	65	Washer	3
28	Gear	1	66	Chuck	1
29	Gear Shaft	1	67	Switch	1
30	Handle	1	68	Column	1
31	Screw	1	69	Rack	1
32	Screw	1	70	Screw	6
33	Knob	1	71	Screw	2
34	Screw	1	72	Power Cord	1
35	Lead Screw	1	73	Screw	4
36	Screw	1	74	Handle	2
37	Connecting Bend	1	75	Setting Collar	2
38	Knob	1	76	Shaft	2
			77	Knob	1
			78	Shaft	1